

Photoelectric Sensors

Rectangular-OS13



Descriptions:

Compact structure, 20×32×12mm, 360° LED indicator, small size with reliable detection.

Features:

- Distance of 200mm and 400mm available for diffused
- Anti-interference capability
- M8 Pigtail connection optional
- Infrared beam, */R optional for red beam

Type:

Detection mode	Type	Distance	Beam	Response time	Output	Switch mode	Connection	Wiring
Opposed	OS13-S6 (emitter)	10m	Infrared	—	—	—	2m cable	Fig.1
	OS13-ELN6 (receiver)	10m	—	500μs	NPN	Light on	2m cable	Fig.2
	OS13-S6 (emitter)	10m	Infrared	—	—	—	2m cable	Fig.1
	OS13-EDN6 (receiver)	10m	—	500μs	NPN	Dark on	2m cable	Fig.3
	OS13-S6 (emitter)	10m	Infrared	—	—	—	2m cable	Fig.1
	OS13-ELP6 (receiver)	10m	—	500μs	PNP	Light on	2m cable	Fig.4
Reflector	OS13-S6 (emitter)	10m	Infrared	—	—	—	2m cable	Fig.1
	OS13-EDP6 (receiver)	10m	—	500μs	PNP	Dark on	2m cable	Fig.5
	OS13-RLN6	3m	Infrared	500μs	NPN	Light on	2m cable	Fig.2
	OS13-RLP6	3m	Infrared	500μs	PNP	Light on	2m cable	Fig.4
	OS13-RDN6	3m	Infrared	500μs	NPN	Dark on	2m cable	Fig.3
	OS13-RDP6	3m	Infrared	500μs	PNP	Dark on	2m cable	Fig.5
Diffused (20...400mm)	OS13-K400LN6	400mm	Infrared	500μs	NPN	Light on	2m cable	Fig.2
	OS13-K400LP6	400mm	Infrared	500μs	PNP	Light on	2m cable	Fig.4
	OS13-K400DN6-*/Q8	400mm	Infrared	500μs	NPN	Dark on	2m cable	Fig.3
	OS13-K400DP6-*/Q8	400mm	Infrared	500μs	PNP	Dark on	2m cable	Fig.5

*Cable length, m, eg. OS13-S6-0.1-Q8, Pigtail cable length 0.1m, electrical connection 6-10.

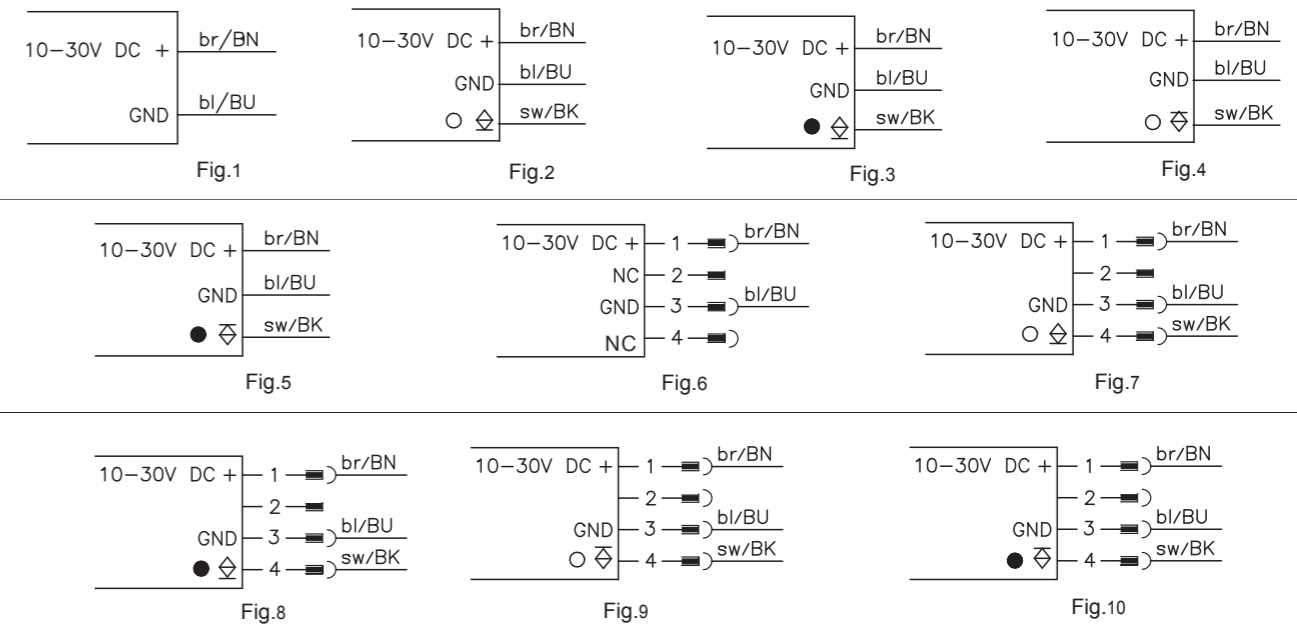
*/R red beam, eg. OS13-S6/R

Technical Data:

Operating voltage	10...30VDC
Ripple voltage	±10% of U _B
Beam	Infrared, red optional
Output type	PNP/NPN
Output characteristic	Light on/dark on
No-load current	≤20mA
Load current	≤100mA
Spot diameter	1.2m (10m, opposed), 350mm (3m, reflector), 10mm (800mm, diffused)
Orange LED	Switch
Housing	PMMA
Optical face	PMMA
Connection	0.1m M8 Pigtail/2m cable
Ambient temperature	-25...55°C
Storage temperature	-40...70°C
Protection degree	IP65

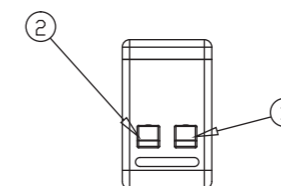
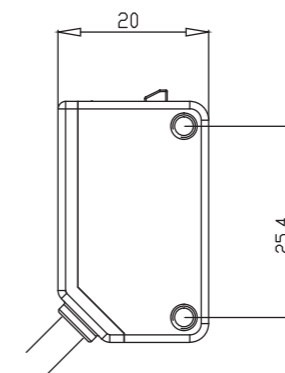
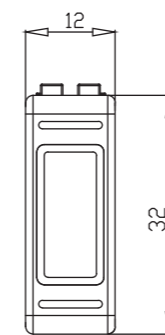
Rectangular-OS13

Electrical Connection:

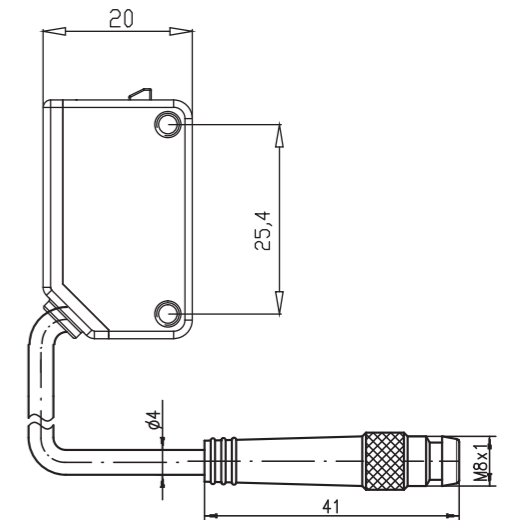


Dimensions:

Cable



M8 Pigtail



1	Single indicator
2	Power indicator