

Photoelectric Sensors

Compact-OG18



Descriptions:

M18 barrel, 40mm short size, various types.

Features:

- Compact size
- Long sensing range
- Visible red beam



Type

Detection mode	Type	Sensing range	Light source	Frequency	Output	Output Function	Connection	Wiring
Opposed	OG18-S6 (emitter)	— —	Infrared beam	— —	— —	— —	2m cable	Fig.1
	OG18-ECP6 (receiver)	30m	— —	1000Hz	PNP	Light-on / Dark-on	2m cable	Fig.3
	OG18-ECN6 (receiver)	30m	— —	1000Hz	NPN	Light-on / Dark-on	2m cable	Fig.2
	OG18-S6Q (emitter)	— —	Infrared beam	— —	— —	— —	M12 connector	Fig.4
	OG18-ECP6Q (receiver)	30m	— —	1000Hz	PNP	Light-on / Dark-on	M12 connector	Fig.6
	OG18-ECN6Q (receiver)	30m	— —	1000Hz	NPN	Light-on / Dark-on	M12 connector	Fig.5

Reflector RB50*50-1

Retro-reflective	OG18-RCP6	4m	Red beam	1000Hz	PNP	Light-on / Dark-on	2m cable	Fig.3
	OG18-RCN6	4m	Red beam	1000Hz	NPN	Light-on / Dark-on	2m cable	Fig.2
	OG18-RCP6Q	4m	Red beam	1000Hz	PNP	Light-on / Dark-on	M12 connector	Fig.6
	OG18-RCN6Q	4m	Red beam	1000Hz	NPN	Light-on / Dark-on	M12 connector	Fig.5
Polarized reflective	OG18-RPCP6	4m	Red beam	1000Hz	PNP	Light-on / Dark-on	2m cable	Fig.3
	OG18-RPCN6	4m	Red beam	1000Hz	NPN	Light-on / Dark-on	2m cable	Fig.2
	OG18-RPCP6Q	4m	Red beam	1000Hz	PNP	Light-on / Dark-on	M12 connector	Fig.6
	OG18-RPCN6Q	4m	Red beam	1000Hz	NPN	Light-on / Dark-on	M12 connector	Fig.5

Diffused	OG18-K200CP6	200mm	Red beam	1000Hz	PNP	Light-on / Dark-on	2m cable	Fig.3
	OG18-K200CN6	200mm	Red beam	1000Hz	NPN	Light-on / Dark-on	2m cable	Fig.2
	OG18-K200CP6Q	200mm	Red beam	1000Hz	PNP	Light-on / Dark-on	M12 connector	Fig.6
	OG18-K200CN6Q	200mm	Red beam	1000Hz	NPN	Light-on / Dark-on	M12 connector	Fig.5
	OG18-K400CP6	400mm	Red beam	1000Hz	PNP	Light-on / Dark-on	2m cable	Fig.3
	OG18-K400CN6	400mm	Red beam	1000Hz	NPN	Light-on / Dark-on	2m cable	Fig.2
	OG18-K400CP6Q	400mm	Red beam	1000Hz	PNP	Light-on / Dark-on	M12 connector	Fig.6
	OG18-K400CN6Q	400mm	Red beam	1000Hz	NPN	Light-on / Dark-on	M12 connector	Fig.5
	OG18-K600CP6	600mm	Red beam	1000Hz	PNP	Light-on / Dark-on	2m cable	Fig.3
	OG18-K600CN6	600mm	Red beam	1000Hz	NPN	Light-on / Dark-on	2m cable	Fig.2
	OG18-K600CP6Q	600mm	Red beam	1000Hz	PNP	Light-on / Dark-on	M12 connector	Fig.6
	OG18-K600CN6Q	600mm	Red beam	1000Hz	NPN	Light-on / Dark-on	M12 connector	Fig.5

Compact-OG18

Technical Data

Supply voltage	10...30VDC
Response time	1ms
Repeatability	≤3%
Load current	≤200mA
Protection circuit	Surge, polarity reversal protection, short circuit protection
Distance adjustment	Adjustable, with single-turn knob
Output indicator	Yellow LED
Ambient temperature	-25...55°C
Storage temperature	-40...70°C
Voltage resistance	1000V/DC 50/60Hz 60s
Insulation impedance	≥50MΩ (500VDC)
Shock resistance	Complex amplitude 1.5mm 10... 50Hz (2hr X, Y respectively)
Impact resistance	500m/s ² (50G) 3 times X,Y,Z respectively
Protection class	IP67
Housing material	PC+ABS

Wiring diagram

Cable

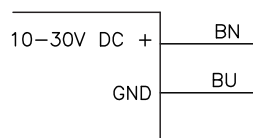


Fig. 1

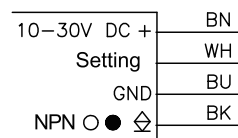


Fig. 2

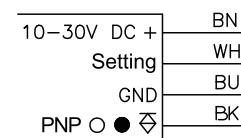


Fig. 3

M12 connector

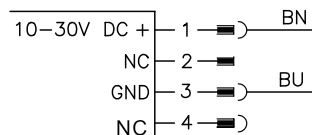


Fig. 4

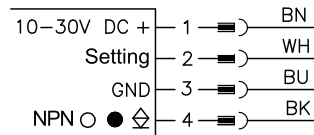


Fig. 5

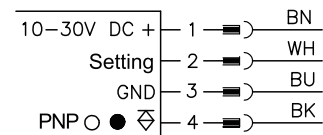


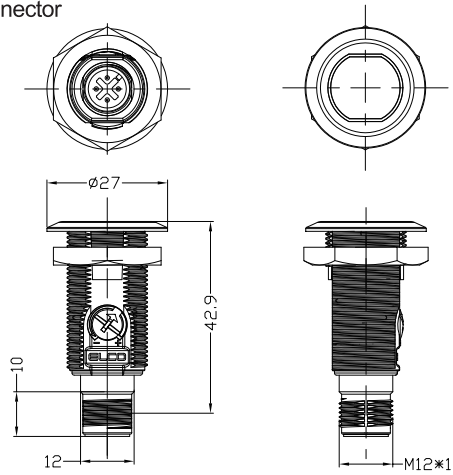
Fig. 6

Photoelectric Sensors

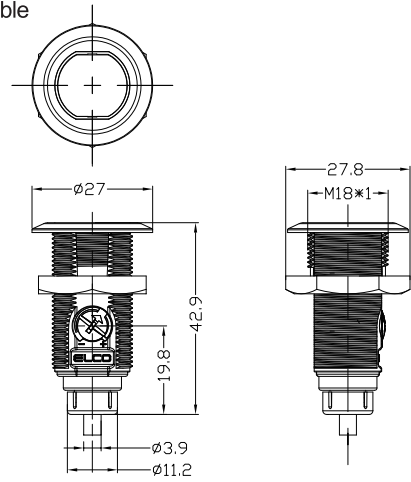
Compact-OG18

Dimensions

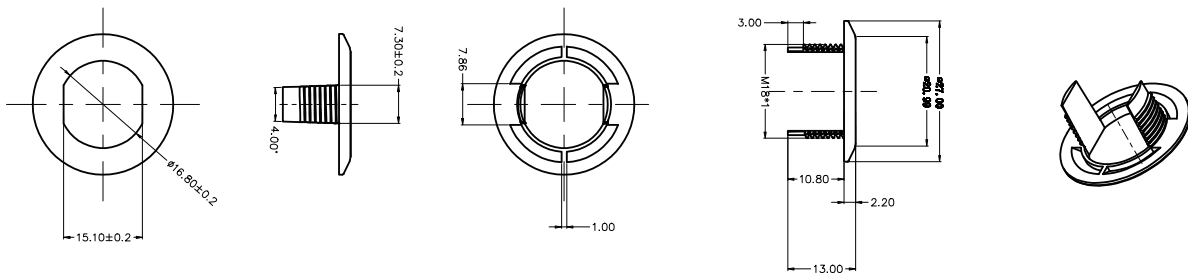
M12 Connector



2m Cable



Mounting bracket



Reflector

RB50x50-1

