

<< Inductive Sensor

Plastic Rectangular-W40



Description:

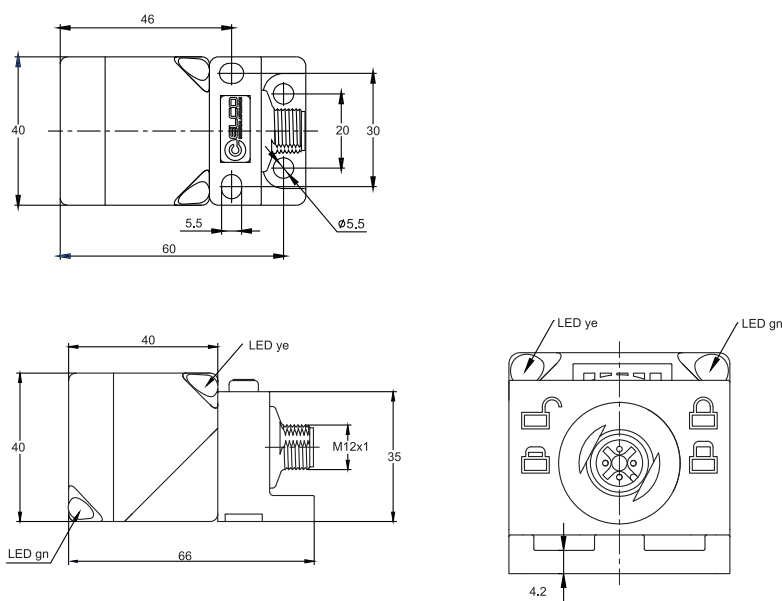
Plastic housing, rectangular 40x40mm, variable orientation of active face, DC 2-wire output, wide voltage range, IP67 protection class, power and action LED indicator.

Technical Data:

Type	Rated Operating Distance S_n	Mounting	Output	Voltage Range U_B	Rated Current	Switching Frequency	Ambient Temperature	Connection	Fig
Fi20-W40-OD6L-Q12	20mm	Flush	NO DC	10...30VDC	≤100mA	150Hz	-25...70°C	M12 Connector	Fig.1
Ni30-W40-OD6L-Q12	30mm	Non-flush	NO DC	10...30VDC	≤100mA	100Hz	-25...70°C	M12 Connector	Fig.1
Fi20-W40-CD6L-Q12	20mm	Flush	NC DC	10...30VDC	≤100mA	150Hz	-25...70°C	M12 Connector	Fig.1
Ni30-W40-CD6L-Q12	30mm	Non-flush	NC DC	10...30VDC	≤100mA	100Hz	-25...70°C	M12 Connector	Fig.1
Fi20-W40-OD9L-Q12	20mm	Flush	NO DC	10...60VDC	≤100mA	150Hz	-25...70°C	M12 Connector	Fig.1
Ni30-W40-OD9L-Q12	30mm	Non-flush	NO DC	10...60VDC	≤100mA	100Hz	-25...70°C	M12 Connector	Fig.1
Fi20-W40-CD9L-Q12	20mm	Flush	NC DC	10...60VDC	≤100mA	150Hz	-25...70°C	M12 Connector	Fig.1
Ni30-W40-CD9L-Q12	30mm	Non-flush	NC DC	10...60VDC	≤100mA	100Hz	-25...70°C	M12 Connector	Fig.1

Dimensions:

Fig.1



Plastic Rectangular-W40



Description:

Plastic housing, rectangular 40x40mm, variable orientation of active face, DC 3/4-wire output, IP67 protection class, LED power and action indicator.

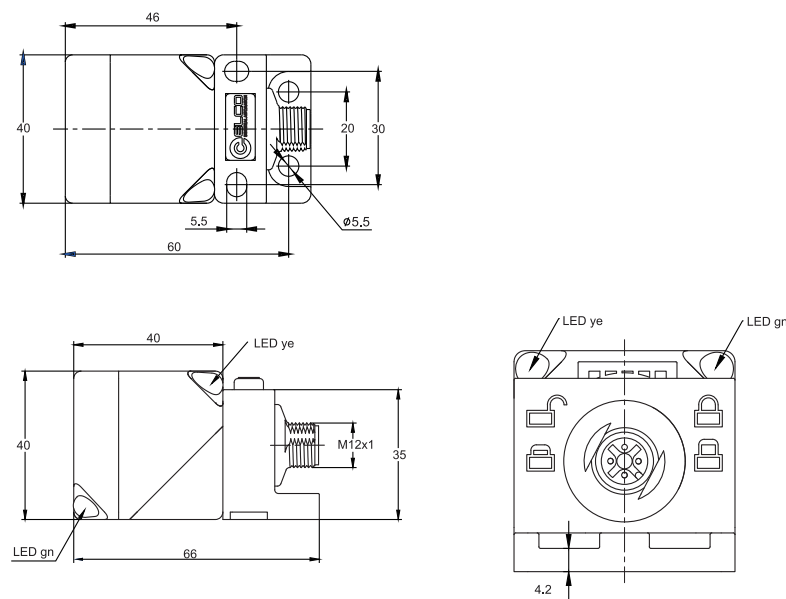
Inductive Sensors

Technical Data:

Type	Rated Operating Distance Sn	Mounting	Output	Voltage Range U _B	Rated Current	Switching Frequency	Ambient Temperature	Connection	Fig
Fi20-W40-ON6L-Q12	20mm	Flush	NO NPN	10...30VDC	≤200mA	150Hz	-25...70°C	M12 Connector	Fig.1
Fi20-W40-CN6L-Q12	20mm	Flush	NC NPN	10...30VDC	≤200mA	150Hz	-25...70°C	M12 Connector	Fig.1
Fi20-W40-BN6L-Q12	20mm	Flush	NO+NC NPN	10...30VDC	≤200mA	150Hz	-25...70°C	M12 Connector	Fig.1
Fi20-W40-OP6L-Q12	20mm	Flush	NO PNP	10...30VDC	≤200mA	150Hz	-25...70°C	M12 Connector	Fig.1
Fi20-W40-CP6L-Q12	20mm	Flush	NC PNP	10...30VDC	≤200mA	150Hz	-25...70°C	M12 Connector	Fig.1
Fi20-W40-BP6L-Q12	20mm	Flush	NO+NC PNP	10...30VDC	≤200mA	150Hz	-25...70°C	M12 Connector	Fig.1
Ni30-W40-ON6L-Q12	30mm	Non-flush	NO NPN	10...30VDC	≤200mA	100Hz	-25...70°C	M12 Connector	Fig.1
Ni30-W40-CN6L-Q12	30mm	Non-flush	NC NPN	10...30VDC	≤200mA	100Hz	-25...70°C	M12 Connector	Fig.1
Ni30-W40-BN6L-Q12	30mm	Non-flush	NO+NC NPN	10...30VDC	≤200mA	100Hz	-25...70°C	M12 Connector	Fig.1
Ni30-W40-OP6L-Q12	30mm	Non-flush	NO PNP	10...30VDC	≤200mA	100Hz	-25...70°C	M12 Connector	Fig.1
Ni30-W40-CP6L-Q12	30mm	Non-flush	NC PNP	10...30VDC	≤200mA	100Hz	-25...70°C	M12 Connector	Fig.1
Ni30-W40-BP6L-Q12	30mm	Non-flush	NO+NC PNP	10...30VDC	≤200mA	100Hz	-25...70°C	M12 Connector	Fig.1

Dimensions:

Fig.1



<< Inductive Sensor

Plastic Rectangular-W40



Description:

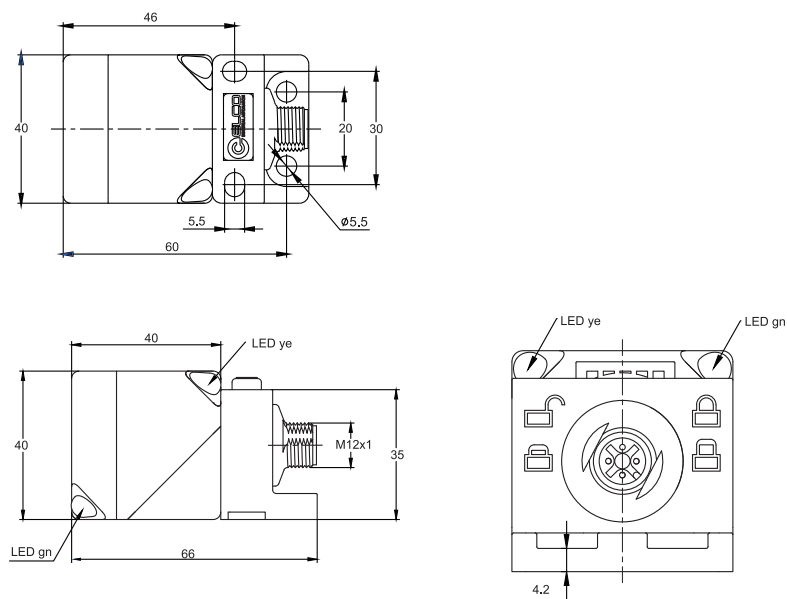
Plastic housing, rectangular 40x40mm, variable orientation of active face, AC/DC 2-wire output, IP67 protection class, power and action LED indicator.

Technical Data:

Type	Rated Operating Distance S_n	Mounting	Output	Voltage Range U_B	Rated Current	Switching Frequency	Ambient Temperature	Connection	Fig
Fi20-W40-OA41L-Q12	20mm	Flush	NO DC/AC	20...250VAC/DC	DC≤100mA/AC≤200mA	20Hz	-25...70°C	M12 Connector	Fig.1
Ni30-W40-CA41L-Q12	30mm	Non-flush	NC DC/AC	20...250VAC/DC	DC≤100mA/AC≤200mA	20Hz	-25...70°C	M12 Connector	Fig.1

Dimensions:

Fig.1



Plastic Rectangular-W40



Description:

Plastic housing, rectangular 40x40mm, variable orientation of active face, long - sensing distance, DC 2-wire output, wide voltage range, IP67 protection class, LED power and action indicator.

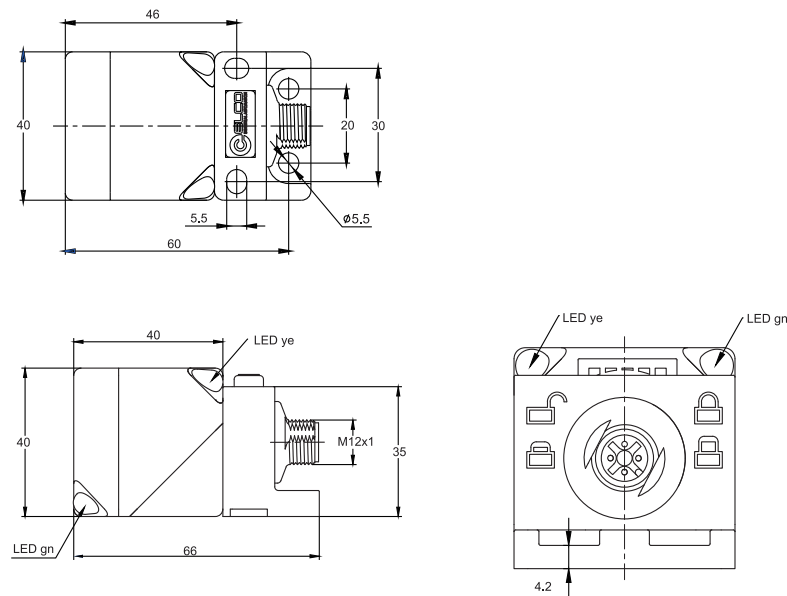
Inductive Sensors

Technical Data:

Type	Rated Operating Distance S_n	Mounting	Output	Voltage Range U_B	Rated Current	Switching Frequency	Ambient Temperature	Connection	Fig
Fi25-W40-OD6L-Q12	25mm	Flush	NO DC	10...30VDC	≤100mA	100Hz	-25...70°C	M12 Connector	Fig.1
Fi25-W40-CD6L-Q12	25mm	Non-flush	NO DC	10...30VDC	≤100mA	150Hz	-25...70°C	M12 Connector	Fig.1
Fi25-W40-OD9L-Q12	25mm	Flush	NC DC	10...30VDC	≤100mA	100Hz	-25...70°C	M12 Connector	Fig.1
Fi25-W40-CD9L-Q12	25mm	Non-flush	NC DC	10...30VDC	≤100mA	50Hz	-25...70°C	M12 Connector	Fig.1
Ni40-W40-OD6L-Q12	40mm	Flush	NO DC	10...60VDC	≤100mA	100Hz	-25...70°C	M12 Connector	Fig.1
Ni40-W40-CD6L-Q12	40mm	Non-flush	NO DC	10...60VDC	≤100mA	150Hz	-25...70°C	M12 Connector	Fig.1
Ni40-W40-OD9L-Q12	40mm	Flush	NC DC	10...60VDC	≤100mA	100Hz	-25...70°C	M12 Connector	Fig.1
Ni40-W40-CD9L-Q12	40mm	Non-flush	NC DC	10...60VDC	≤100mA	50Hz	-25...70°C	M12 Connector	Fig.1

Dimensions:

Fig.1



<< Inductive Sensor

Plastic Rectangular-W40



Description:

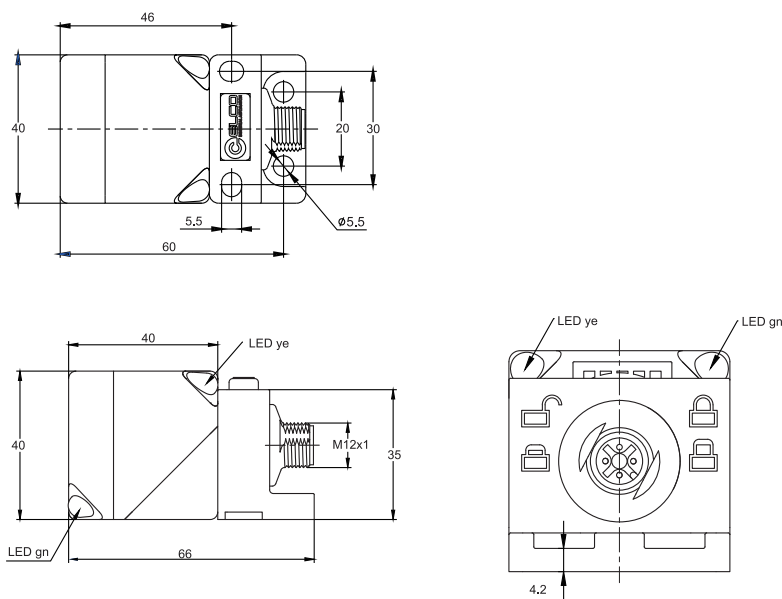
Plastic housing, rectangular 40x40mm, variable orientation of active face, long - sensing distance, DC 3/4-wire output, IP67 protection class, LED power and action indicator.

Technical Data:

Type	Rated Operating Distance S_n	Mounting	Output	Voltage Range U_b	Rated Current	Switching Frequency	Ambient Temperature	Connection	Fig
Fi25-W40-ON6L-Q12	25mm	Flush	NO NPN	10...30VDC	$\leq 200\text{mA}$	100Hz	-25...70°C	M12 Connector	Fig.1
Fi25-W40-CN6L-Q12	25mm	Flush	NC NPN	10...30VDC	$\leq 200\text{mA}$	100Hz	-25...70°C	M12 Connector	Fig.1
Fi25-W40-BN6L-Q12	25mm	Flush	NO+NC NPN	10...30VDC	$\leq 200\text{mA}$	100Hz	-25...70°C	M12 Connector	Fig.1
Fi25-W40-OP6L-Q12	25mm	Flush	NO PNP	10...30VDC	$\leq 200\text{mA}$	100Hz	-25...70°C	M12 Connector	Fig.1
Fi25-W40-CP6L-Q12	25mm	Flush	NC PNP	10...30VDC	$\leq 200\text{mA}$	100Hz	-25...70°C	M12 Connector	Fig.1
Fi25-W40-BP6L-Q12	25mm	Flush	NO+NC PNP	10...30VDC	$\leq 200\text{mA}$	100Hz	-25...70°C	M12 Connector	Fig.1
Ni40-W40-ON6L-Q12	40mm	Non-flush	NO NPN	10...30VDC	$\leq 200\text{mA}$	50Hz	-25...70°C	M12 Connector	Fig.1
Ni40-W40-CN6L-Q12	40mm	Non-flush	NC NPN	10...30VDC	$\leq 200\text{mA}$	50Hz	-25...70°C	M12 Connector	Fig.1
Ni40-W40-BN6L-Q12	40mm	Non-flush	NO+NC NPN	10...30VDC	$\leq 200\text{mA}$	50Hz	-25...70°C	M12 Connector	Fig.1
Ni40-W40-OP6L-Q12	40mm	Non-flush	NO PNP	10...30VDC	$\leq 200\text{mA}$	50Hz	-25...70°C	M12 Connector	Fig.1
Ni40-W40-CP6L-Q12	40mm	Non-flush	NC PNP	10...30VDC	$\leq 200\text{mA}$	50Hz	-25...70°C	M12 Connector	Fig.1
Ni40-W40-BP6L-Q12	40mm	Non-flush	NO+NC PNP	10...30VDC	$\leq 200\text{mA}$	50Hz	-25...70°C	M12 Connector	Fig.1

Dimensions:

Fig.1



Plastic Rectangular-W40



Description:

Plastic housing, rectangular 40x40mm, variable orientation of active face, long - sensing distance, AC/DC 2-wire output, IP67 protection class, LED power and action indicator.

Inductive Sensors

Technical Data:

Type	Rated Operating Distance S_n	Mounting	Output	Voltage Range U_B	Rated Current	Switching Frequency	Ambient Temperature	Connection	Fig
FI25-W40-OA41L-Q12	25mm	Flush	NO DC/AC	20...250VAC/DC	DC≤100mA/AC≤200mA	20Hz	-25...70°C	M12 Connector	Fig.1
FI25-W40-CA41L-Q12	25mm	Flush	NC DC/AC	20...250VAC/DC	DC≤100mA/AC≤200mA	20Hz	-25...70°C	M12 Connector	Fig.1
NI40-W40-OA41L-Q12	40mm	Non-flush	NO DC/AC	20...250VAC/DC	DC≤100mA/AC≤200mA	20Hz	-25...70°C	M12 Connector	Fig.1
NI40-W40-CA41L-Q12	40mm	Non-flush	NC DC/AC	20...250VAC/DC	DC≤100mA/AC≤200mA	20Hz	-25...70°C	M12 Connector	Fig.1

Dimensions:

Fig.1

